





# Schueco AWS 70 SC Outward Opening Window

An outward opening window, with a 70 mm outer frame depth, that is ideal for both the new-build and refurbishment markets. Economically priced, it is a versatile addition to the Schueco AWS range.



70.5 mm inside glazed vent with 28 mm glazing unit

Schueco AWS 70 SC is an outward opening aluminium window system delivering quality with economy. It represents a cost effective solution for new and replacement windows in houses and apartments, light commercial buildings, local authority properties, schools, hospitals and clinics.

While using the minimum number of profiles, the system provides a wide variety of sightlines, sizes and weights from slimline to heavy duty. It can be used for the fenestration in punched openings, ribbon windows and curtain walling.

#### **The range**

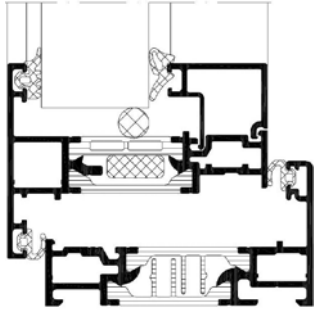
- Slimline inside glazed
- Slimline outside glazed
- Standard inside glazed
- HD inside glazed
- HD inside glazed for multi-point locking

#### **Additional options**

- 90° and variable angle, bay window connections
- Projecting sills
- Dual colour choice

**Thermal insulation**

- Typical 'U' value 1.5 W/m<sup>2</sup>K with 1.0 W/m<sup>2</sup>K glazing units and polyamide (PA) insulating bars
- Compliant with Document L
- WER up to 'A' Rating with polythermide (PT) insulating bar option



Detail illustrating polythermide insulation bars

**Hardware**

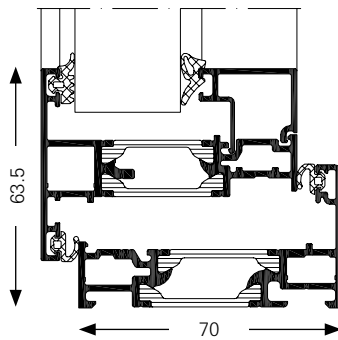
- Stainless steel friction hinges, including egress
- Heavy duty austenitic stainless steel friction hinges, including egress
- Stainless steel, reverse action mushroom espagnolettes
- 3-sided locking system for large vents
- Opening limiters



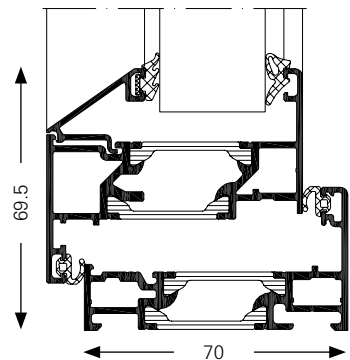
51 mm inside glazed vent



56.5 mm outside glazed vent



Scale 2:1



Scale 2:1

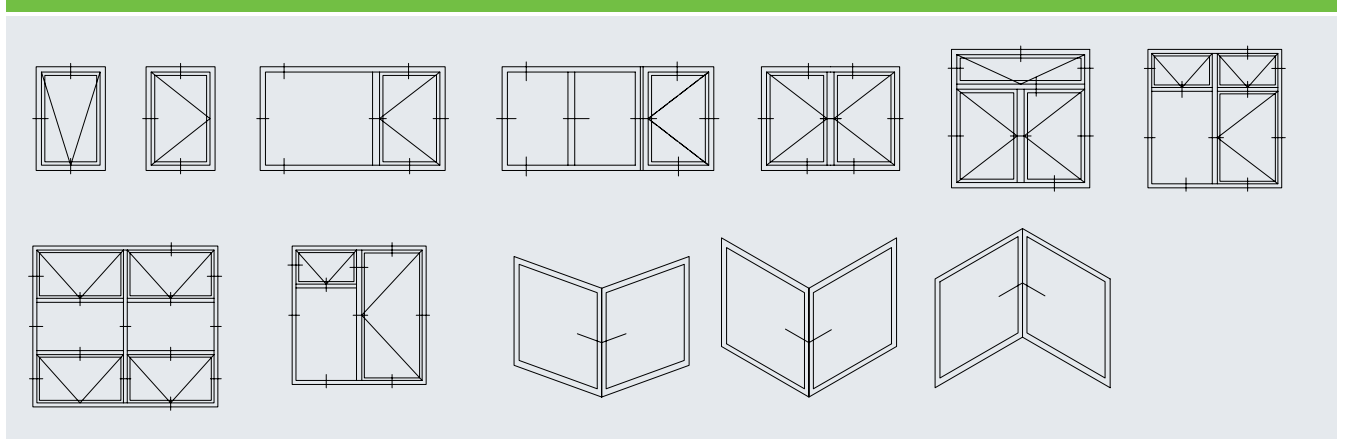
**Product benefits**

- Compact outward opening window system with Schueco 'build quality'
- Slim sightlines from 63.5 mm (outer frame/vent) for maximum daylight area
- Five vent profiles offer optimum cost/size/weight options
- Heavy duty hinge alternative for heavier glass weights and larger sizes
- Double or triple glazed units up to 34 mm thickness
- WER up to 'A', with polythermide insulating bar option, for ideal energy balance in houses and apartments
- Full range of frame couplings, bay window attachments, structural profiles and sills
- Square or chamfered glazing beads for design flexibility
- Polyester powder coat or anodised frame finishes including dual colour
- Security tested to PAS 24:2012
- Compatible with Schueco ADS 70 doors

**Fabrication benefits**

- Simple, flexible system of profiles and fittings
- Robust construction with Schueco profile corner and T-joint technology
- Choice of nailed or crimped corner fabrication
- Hardware location points ensure ease of fitting and accuracy
- Optional components for added thermal insulation
- Minimum tooling requirements

**Opening types**

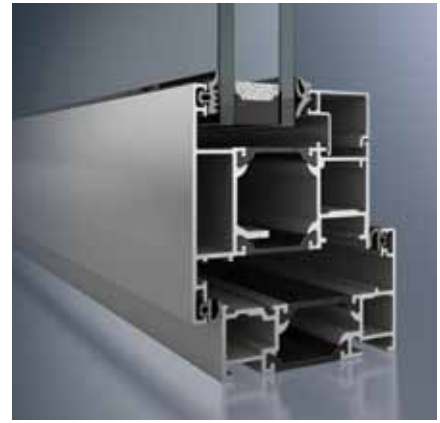




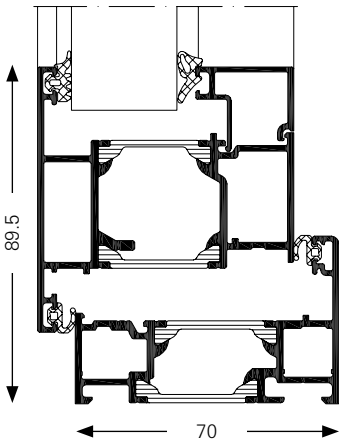
70.5 mm inside glazed vent



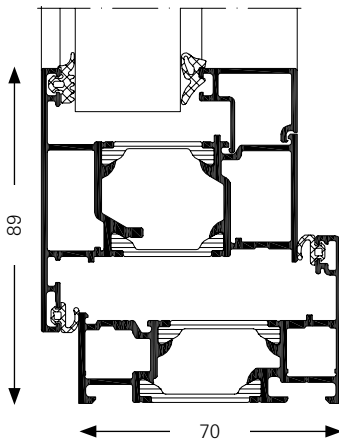
70 mm inside glazed HD vent



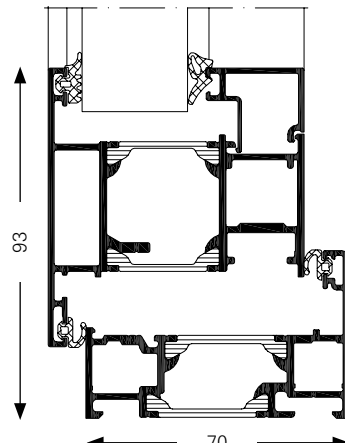
74 mm inside glazed HD vent/multi-point locking\*\*



Scale 2:1



Scale 2:1



Scale 2:1

AWS 70 SC Outward Opening Window					
	51 mm Vent (Inside glazed)	56.5 mm Vent (Outside glazed)	70.5 mm Vent (Inside glazed)	70 mm HD Vent (Inside glazed)	74 mm HD Vent (Inside glazed)
<b>Thermal Insulation</b>					
Typical U value W/m <sup>2</sup> K	1.5	1.5	1.6	1.6	1.6
Meets or exceeds requirements of Document L 2013	■	■	■	■	■
<b>Fittings</b>					
Stainless steel friction hinges incl. egress	■	■	■		
HD austenitic stainless steel friction hinges incl. egress				■	■
Twin cam stainless steel espagnolette with night vent keeps	■	■	■	■	■
Three-sided locking for high/wide vent					■
100 mm opening limiter	■	■	■	■	■
<b>Sizes</b>					
Minimum face width in mm (vent + frame)	63.5	69.5	83	82.5	86.5
Maximum top hung vent size (m)	1.2 x 1.0	1.4 x 1.2	1.4 x 1.2	1.4 x 1.2	1.8 x 1.8
Maximum side hung vent size (m)	0.65 x 1.2	0.7 x 1.4	0.7 x 1.4	0.7 x 1.4	0.7 x 1.6
Maximum top hung vent weight (kg)	50	50	50	100	100
Maximum side hung vent weight (kg)	30	30	30	42	42
<b>Performance</b>					
Air permeability (EN 12207)*	4	4	4	4	4
Water tightness (EN 12208)*	9A	9A	9A	9A	9A
<b>Security</b>					
Tested to PAS 24: 2014*	yes	yes	yes	yes	yes

U values based on window 1.2 m x 1.0 m with 1.0 W/m<sup>2</sup>K glazing and  $\psi$  0.04

\* Test results pending

\*\*Available 11/2014

