

OUTSWING FRENCH DOOR

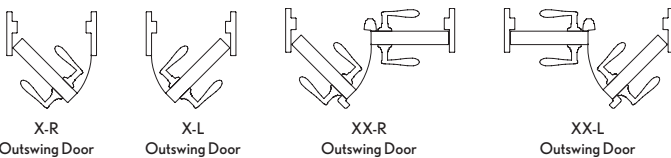
Outswing French Doors

Mas. Opg. (mm)	2-6 13/16 (783)	2-8 13/16 (834)	3-0 13/16 (935)
Rgh. Opg. (mm)	2-7 5/16 (796)	2-9 5/16 (846)	3-1 5/16 (948)
Frame Size (mm)	2-6 5/16 (770)	2-8 5/16 (821)	3-0 5/16 (923)
Glass Size (mm)	22 19/32" (574)	24 19/32" (625)	28 19/32" (726)

6-7 3/4 (2026) 6-8 (2032) 6-7 1/2 (2019) 68 9/32" (1734)									
6-10 1/4 (2089) 6-10 1/2 (2096) 6-10 (2083) 70 25/32" (1798)									
7-11 3/4 (2432) 8-0 (2438) 7-11 1/2 (2426) 84 9/32" (2141)									

Outswing Door Operation

X signifies an operating door panel, O means stationary. Listing the panels in a door starts from the left to the right, looking from the exterior.



Details and Elevations not to scale.

O = Stationary X = Operator
L = Left Hand Panel R = Right Hand Panel

Optional Outswing French Door Grilles, GBGs, SDLs and SDLs with Spacer Bar are available in a standard Rectangular cut, as shown.

Transom units have a 2" jamb extension for 6 9/16" jamba or a 2 1/4" jamb extension for 6 13/16" jamba. When ordering 6 9/16" or 6 13/16" jamba, add 1/4" to width and 1/8" to height of Frame Size (FS), Rough Opening (RO), or Masonry Opening (MO).

Optional Direct Glaze transom Grilles, GBGs, SDLs and SDLs with Spacer Bar are available in a standard Rectangular cut, as shown.

Outswing French Door Direct Glaze Transoms

Mas. Opg. (mm)	3-0 13/16 (935)	5-11 1/2 (1816)	8-11 13/16 (2738)
Rgh. Opg. (mm)	3-1 5/16 (948)	6-0 (1829)	9-0 5/16 (2751)
Frame Size (mm)	3-0 5/16 (923)	5-11 (1803)	8-11 5/16 (2726)
Glass Size (mm)	33 1/2" (851)	68 3/16" (1732)	104 1/2" (2654)

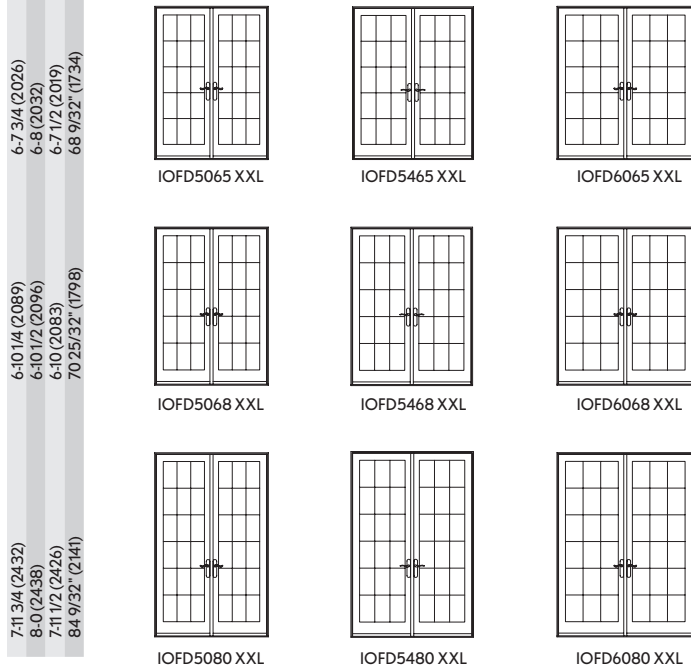
1-4 (406) 1-4 1/4 (413) 1-3 3/4 (400) 12 15/16" (329)			
	IOFDDG3616	IOFDDG7216	IOFDDG10816

OUTSWING FRENCH DOOR

INTEGRITY FROM MARVIN®
WOOD-ULTREX® SERIES

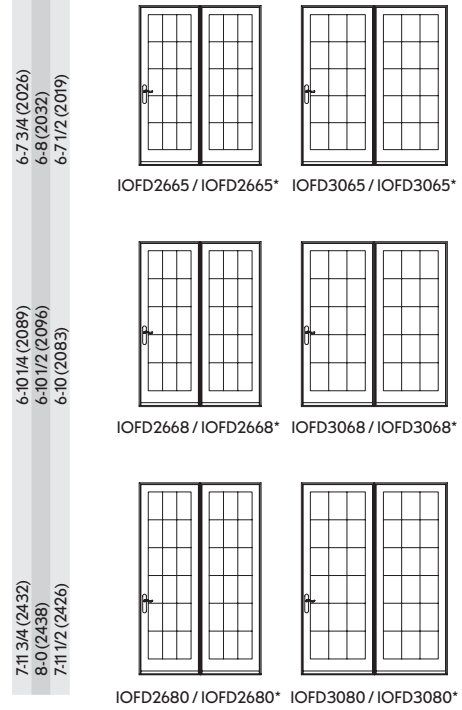
Outswing French Doors

Mas. Opg. (mm)	4-11 1/2 (1511)	5-3 1/2 (1613)	5-11 1/2 (1816)
Rgh. Opg. (mm)	5-0 (1524)	5-4 (1626)	6-0 (1829)
Frame Size (mm)	4-11 (1499)	5-3 (1600)	5-11 (1803)
Glass Size (mm)	22 19/32" (574)	24 19/32" (625)	28 19/32" (726)

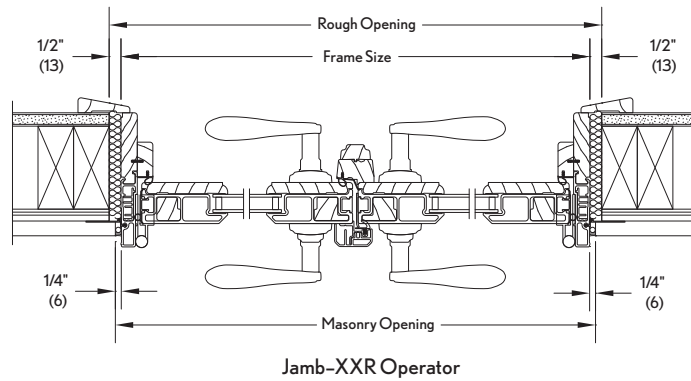
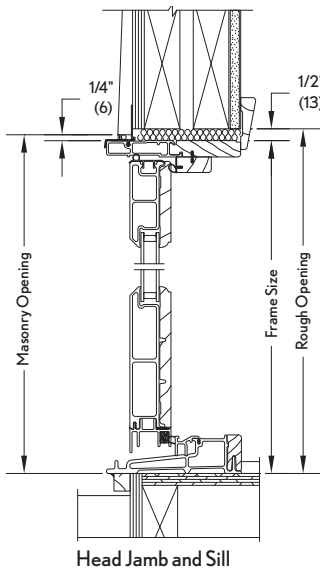


Multiple Assemblies - 2 Panel

Mas. Opg. (mm)	5-11/8 (1553)	6-11/8 (1857)
Rgh. Opg. (mm)	5-1 5/8 (1565)	6-15/8 (1870)
Frame Size (mm)	5-0 5/8 (1540)	6-0 5/8 (1845)

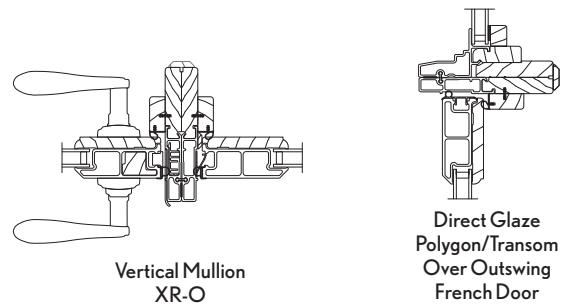


Construction Details



MULTIPLE ASSEMBLIES

Multiple assembly units can be factory mullered up to 3 units wide by 1 unit high, Maximum Rough Opening not to exceed 109 15/16" x 96"; or 2 units wide by 2 units high, maximum Rough Opening not to exceed 73 5/8" x 100 1/2". Field mull kits available for up to 3 units wide by 2 units high not to exceed 110" x 112". True Half Round transoms are available field mullered only. Structural mullion reinforcement is required for some assemblies. Please consult your local Integrity from Marvin® representative for more information.



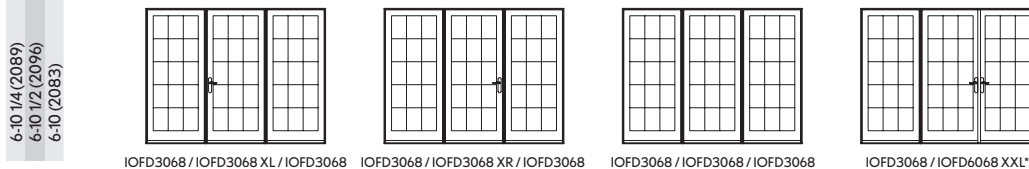
OUTSWING FRENCH DOOR

Multiple Assemblies - 3 Panel

Mas. Opg. (mm)	7-7 7/16 (2323)	7-7 7/16 (2323)	7-7 7/16 (2323)	7-5 13/16 (2281)
Rgh. Opg. (mm)	7-7 15/16 (2335)	7-7 15/16 (2335)	7-7 15/16 (2335)	7-6 5/16 (2294)
Frame Size (mm)	7-6 15/16 (2310)	7-6 15/16 (2310)	7-6 15/16 (2310)	7-5 5/16 (2269)

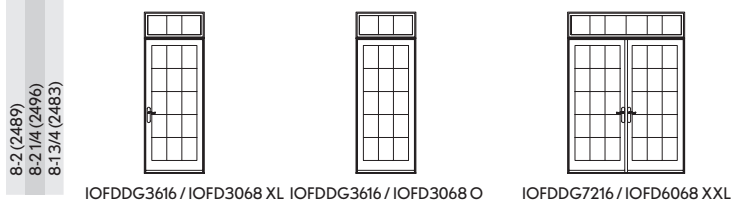


Mas. Opg. (mm)	9-1 7/16 (2780)	9-1 7/16 (2780)	9-1 7/16 (2780)	8-11 13/16 (2738)
Rgh. Opg. (mm)	9-1 15/16 (2792)	9-1 15/16 (2792)	9-1 15/16 (2792)	9-0 5/16 (2751)
Frame Size (mm)	9-0 15/16 (2767)	9-0 15/16 (2767)	9-0 15/16 (2767)	8-11 5/16 (2726)



Direct Glaze Transom Over Outswing French Door

Mas. Opg. (mm)	3-0 13/16 (935)	3-0 13/16 (935)	5-11 1/2 (1816)
Rgh. Opg. (mm)	3-1 5/16 (948)	3-1 5/16 (948)	6-0 (1829)
Frame Size (mm)	3-0 5/16 (923)	3-0 5/16 (923)	5-11 (1803)



Round Top Over Outswing French Door

Mas. Opg. (mm)	5-11 1/2 (1816)
Rgh. Opg. (mm)	6-0 (1829)
Frame Size (mm)	5-11 (1803)



Details and Elevations not to scale.

O = Stationary X = Operator
L = Left Hand Panel R = Right Hand Panel

*2 panel mull assembly

**2 and 3 panel XX configurations also available in XX R.

***This product is only available field mullled.

Optional Outswing French Door Grilles, GBGs, SDLs and SDLs with Spacer Bar are available in a standard Rectangular cut, as shown.

Transom units have a 2" jamb extension for 6 9/16" jambs or a 2 1/4" jamb extension for 6 13/16" jambs. When ordering 6 9/16" or 6 13/16" jambs, add 1/4" to width and 1/8" to height of Frame Size (FS), Rough Opening (RO), or Masonry Opening (MO).

Optional Direct Glaze transom Grilles, GBGs, SDLs and SDLs with Spacer Bar are available in a standard Rectangular cut, as shown.

Optional Round Top SDL/Grilles and SDL with Spacer Bar are available in a standard cut, as shown. (Round Top divided lites only available in standard lite cut.)